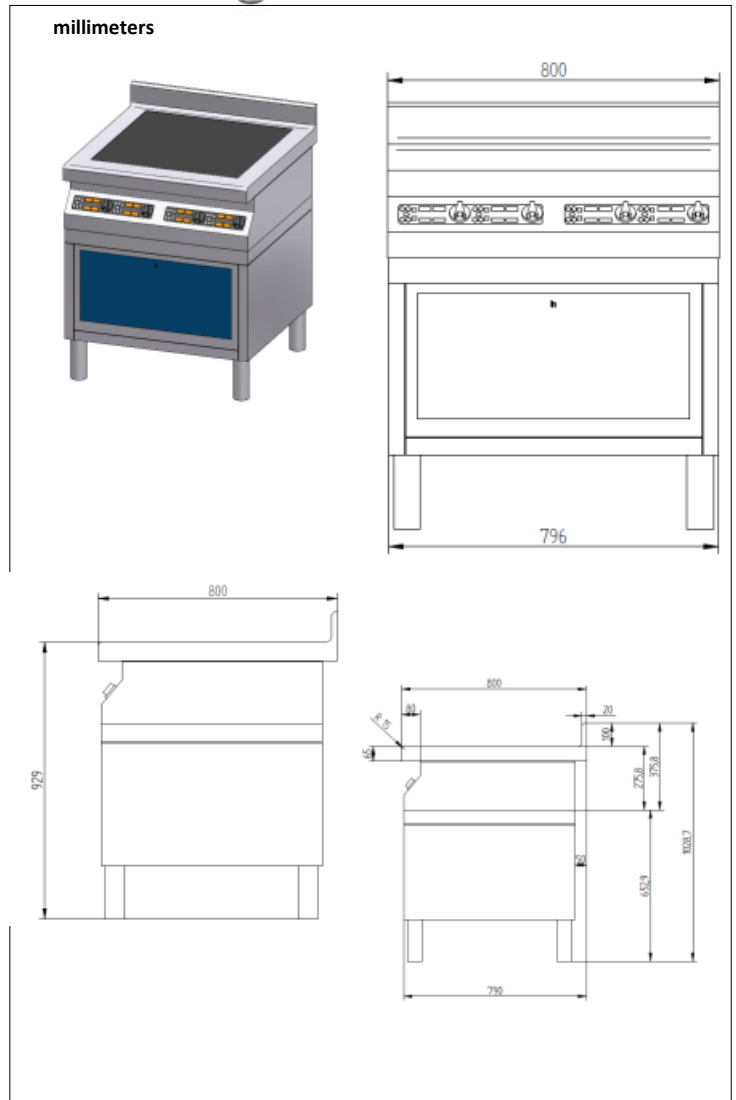


TECHNICAL FEATURES	
External structure	AISI 304 stainless steel
Dimensions	800 x 800 x 929
Power	32000W
Cooking surface	Vitroceramic glass.
Control panel	360° rotary control with display of each cooking zone and 4 digits display.
Amp	48A
Functions	Power settings (W) or temperature settings (°C). Setting from 25 to 1000 watts
Power supply	Works between 250 and 490V / 40 and 70Hz. Compatible with TERA WATT energy optimizer. 2 power cords H07RNF5G-2.5 with 2.5mm ² section each.
Weight	
Standards	Complies with European standards for safety of electrical appliances, for EMC, for Rohs and Intertek NSF & UL standards.
Options & Details	Compatible with TERA WATT & SICO-TRONIC energy optimizer



ADVENTYS
 Route de Pagny - 21250 Seurre - France
www.adventys.com
sales@adventys.com
 T: +33 3 80 20 46 15

Important note

Adventys reserves the right to modify specifications without notice.



How your device works

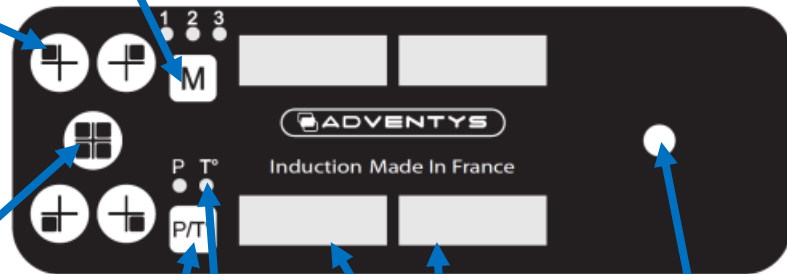
1 MEMORY key: memorization or call of 1 program out of 3, for all 4 zones.

3 LEDS to indicate the number selected program.

4 SELECTION keys (1 for each zone). Short press for selection and start-up and long press for shutdown.

1 SELECTION key, GLOBAL of 4 zones. Short press for selection and start-up and long press to stop 4 zones at the same time.

1 SELECTION key, POWER or TEMPERATURE for selected zone or all zones.



4 DISPLAYS with 4 digits to indicate the power or temperature value selected for each zone.

1 Knob control to adjust the selected zone (P or T).

2 LEDS to indicate the selection POWER or TEMPERATURE

ADVENTYS
 Route de Pagny - 21250 Seurre - France
www.adventys.com
sales@adventys.com
 T: +33 3 80 20 46 15

Important note

Adventys reserves the right to modify specifications without notice.

